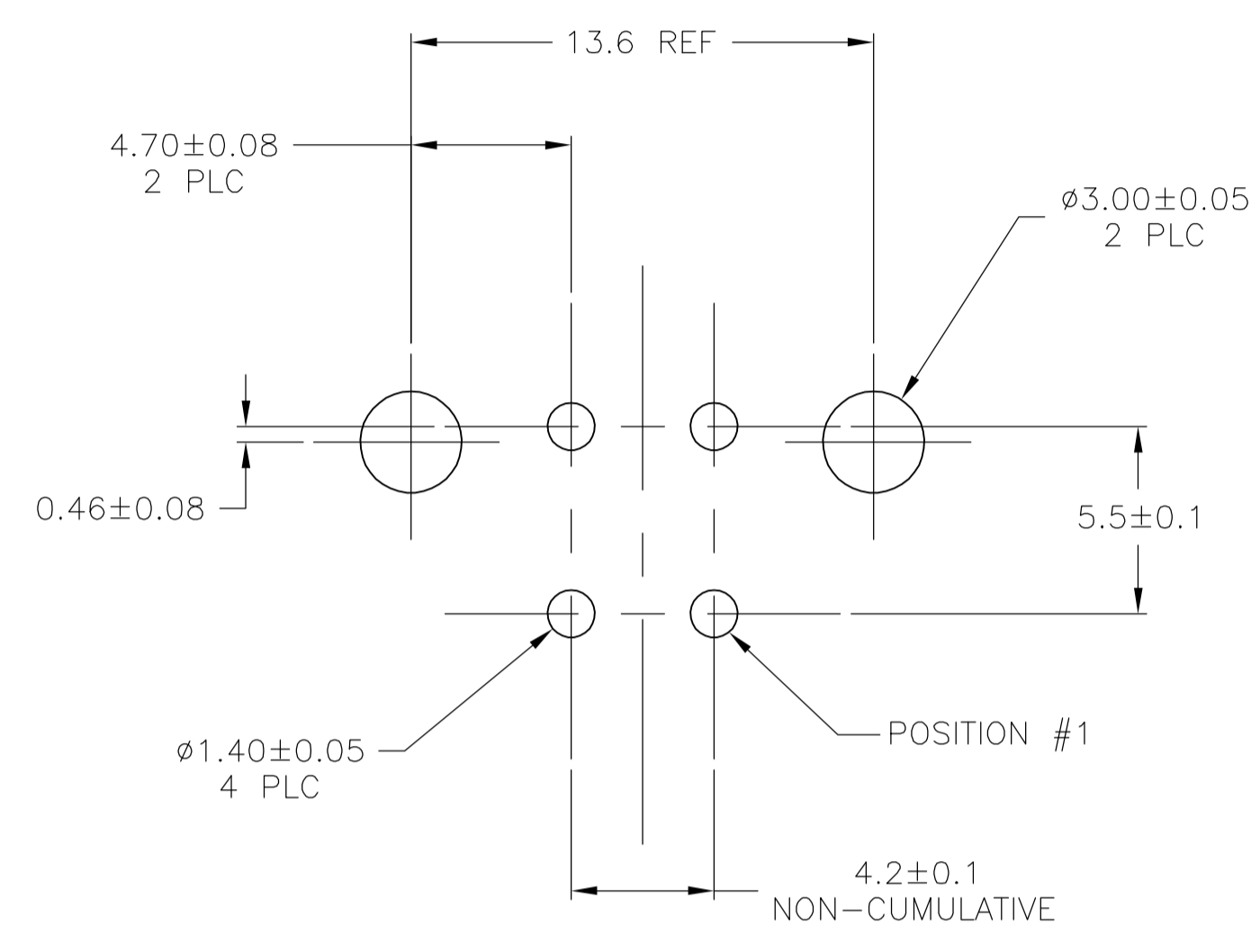
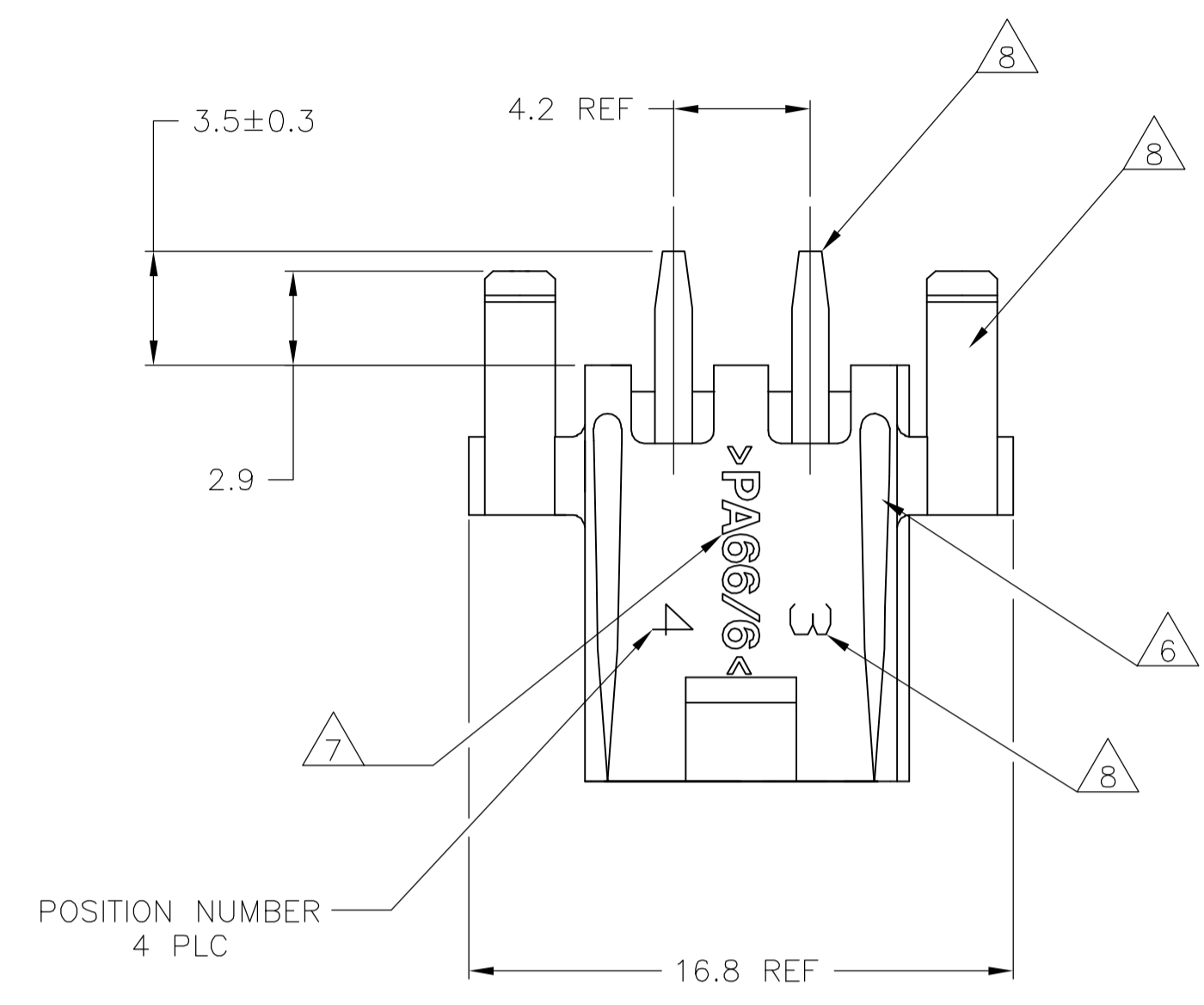
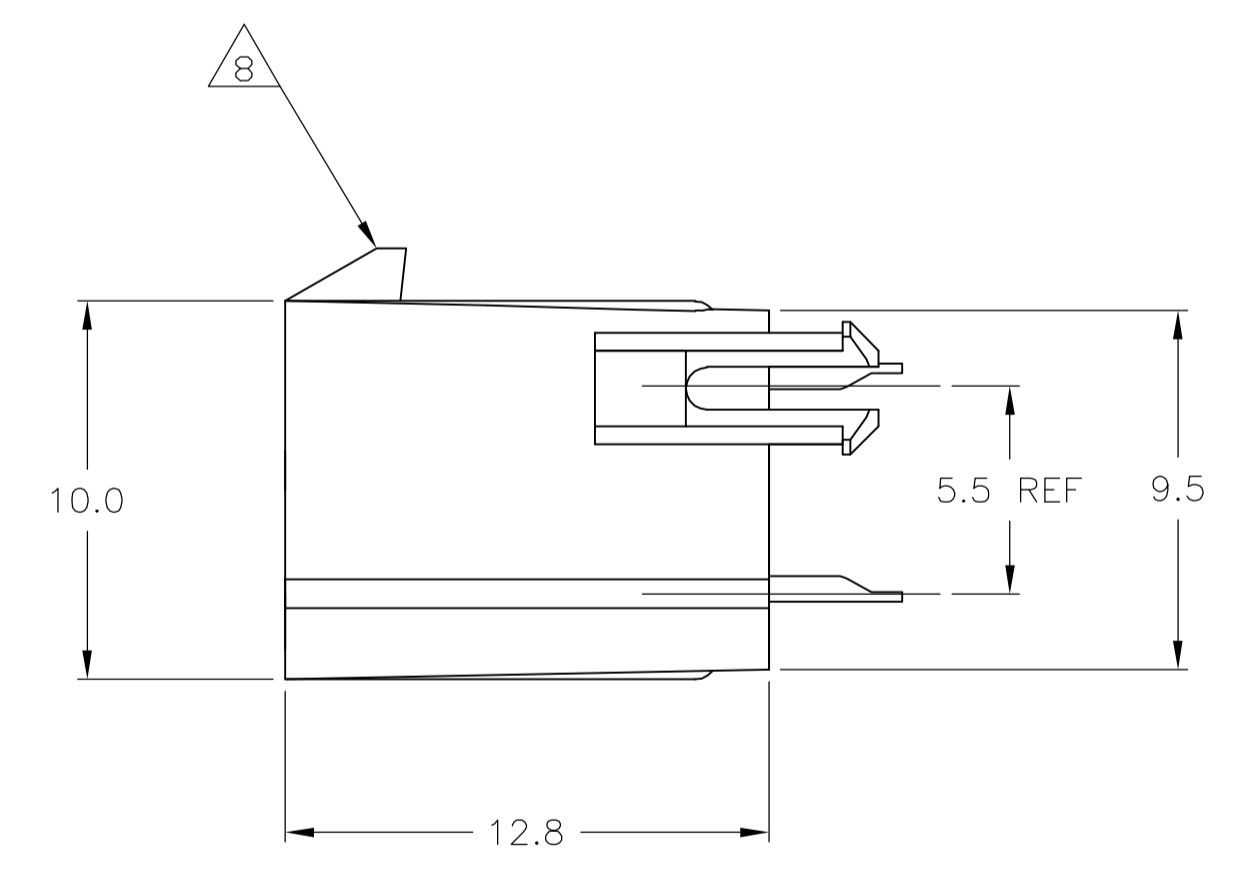
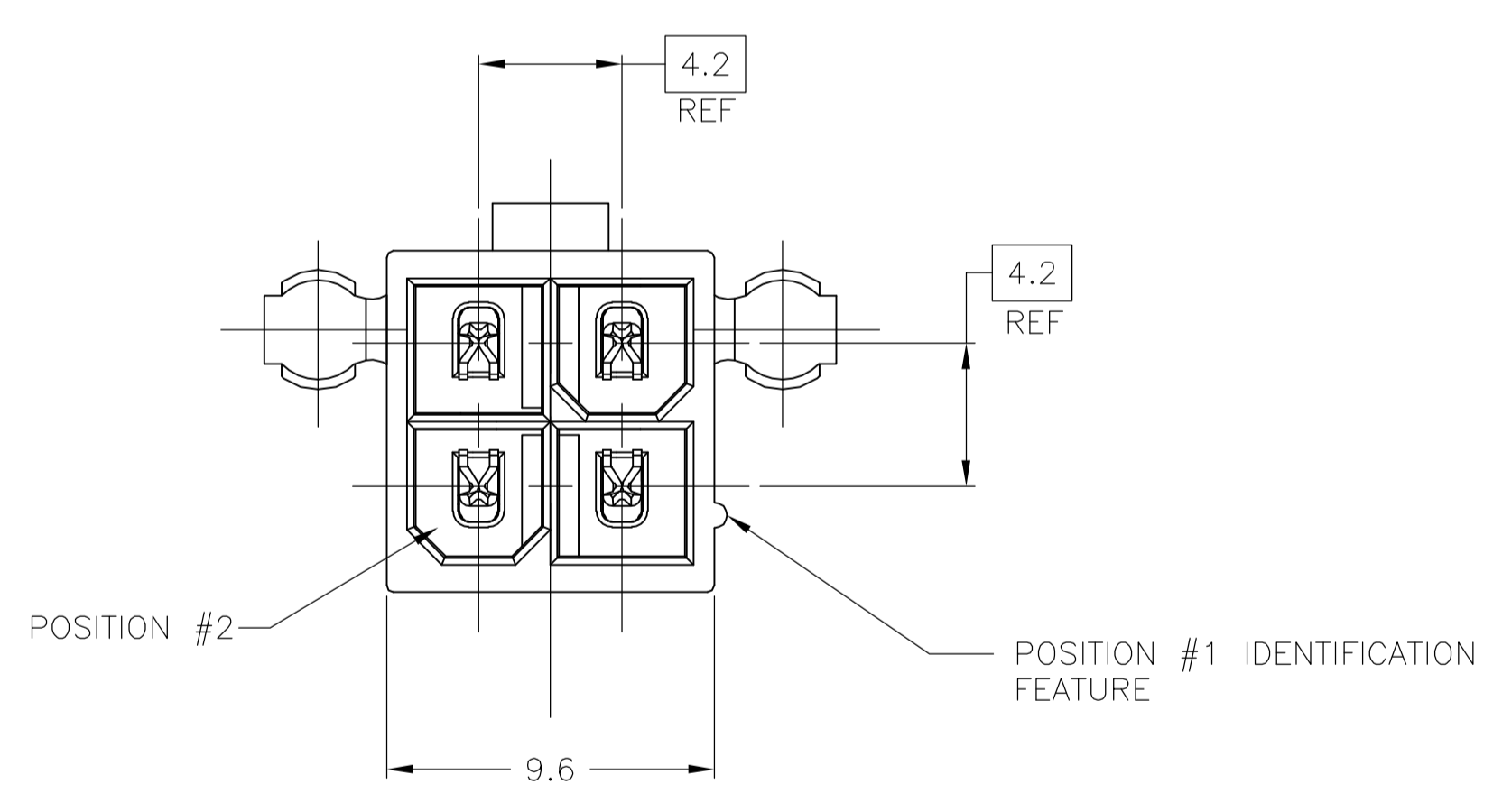


LOC		DIST		REVISIONS			
P	LTR	DESCRIPTION	DATE	BY	APP'D		
E		ECO-06-013135	13JUN06	BSV	DC		

- 1 MATERIAL:
HOUSING: NYLON, UL94V-0 (COLOR - NATURAL, COLOR OF PARTS MAY VARY).
CONTACTS: 0.25 THK COPPER ALLOY.
- 2 CONTACT FINISH: 0.003 MIN THK TIN-LEAD OVER 0.00127 MIN THK NICKEL OVER ENTIRE CONTACT.
- 3 CONTACT FINISH: 0.00076 MIN THK GOLD PLATE ON PIN MATING SURFACE, 0.003 MIN THK TIN-LEAD PLATE ON SOLDER TAIL, ALL OVER 0.00127 MIN THK NICKEL BASE PLATE.
- 4. SOLDER TAIL MEETS AMP SOLDERABILITY SPECIFICATION 109-11-2.
- 5. MATES WITH SIMILARLY PLATED AMP-DUAC™ POWER CONNECTOR RECEPTACLE HOUSINGS/SOCKET CONTACTS.
- 6 RIBS ON FOUR CORNERS OPTIONAL.
- 7 AMP LOGO AND MATERIAL ID MAY BE LOCATED ON EITHER LONG SIDE OF PART.
- 8 SIZE, SHAPE OR STYLE OF THIS FEATURE MAY VARY.
- 9 CONTACT FINISH: 0.003 MIN THK TIN OVER 0.00127 MIN THK NICKEL OVER ENTIRE CONTACT.
- 10 CONTACT FINISH: 0.00076 MIN THK GOLD PLATE ON PIN MATING SURFACE, 0.003 MIN THK TIN PLATE ON SOLDER TAIL, ALL OVER 0.00127 MIN THK NICKEL BASE PLATE.



RECOMMENDED MOUNTING HOLE PATTERN
 FOR 1.78 MAX THICK P.C. BOARD
 COMPONENT SIDE SHOWN



	1	10	1	1	1-794466-2
	1	9	1	1	1-794466-1
SUPERCEDED BY 1-794466-2	1	3	1	1	794466-2
SUPERCEDED BY 1-794466-1	1	2	1	1	794466-1
	MATERIAL	FINISH	MATERIAL	COLOR	PART NO.

CONTACT		HOUSING		PART NO.
THIS DRAWING IS A CONTROLLED DOCUMENT.		DIN R VESTAL	DBJUN98	Tyco Electronics Corporation Harrisburg, Pa 17105-3608
DIMENSIONS: mm		CHK R SWING	DBJUN98	
TOLERANCES UNLESS OTHERWISE SPECIFIED:		NAME		ASSEMBLY, HEADER, VERTICAL, 4 POSITION, W/PEGS, W/DRAIN HOLES, 94V-0,AMP-DUAC
0 PLC ± -		CASH		
1 PLC ± 0.2		PRODUCT SPEC		SIZE CAGE CODE DRAWING NO RESTRICTED TO
2 PLC ± 0.13		108-1699		
3 PLC ± -		APPLICATION SPEC		A1 00779 C=794466
4 PLC ± -		WEIGHT		
ANGLES ± ± 0.30°		CUSTOMER DRAWING		SCALE 5:1 SHEET 1 OF 1 REV E